

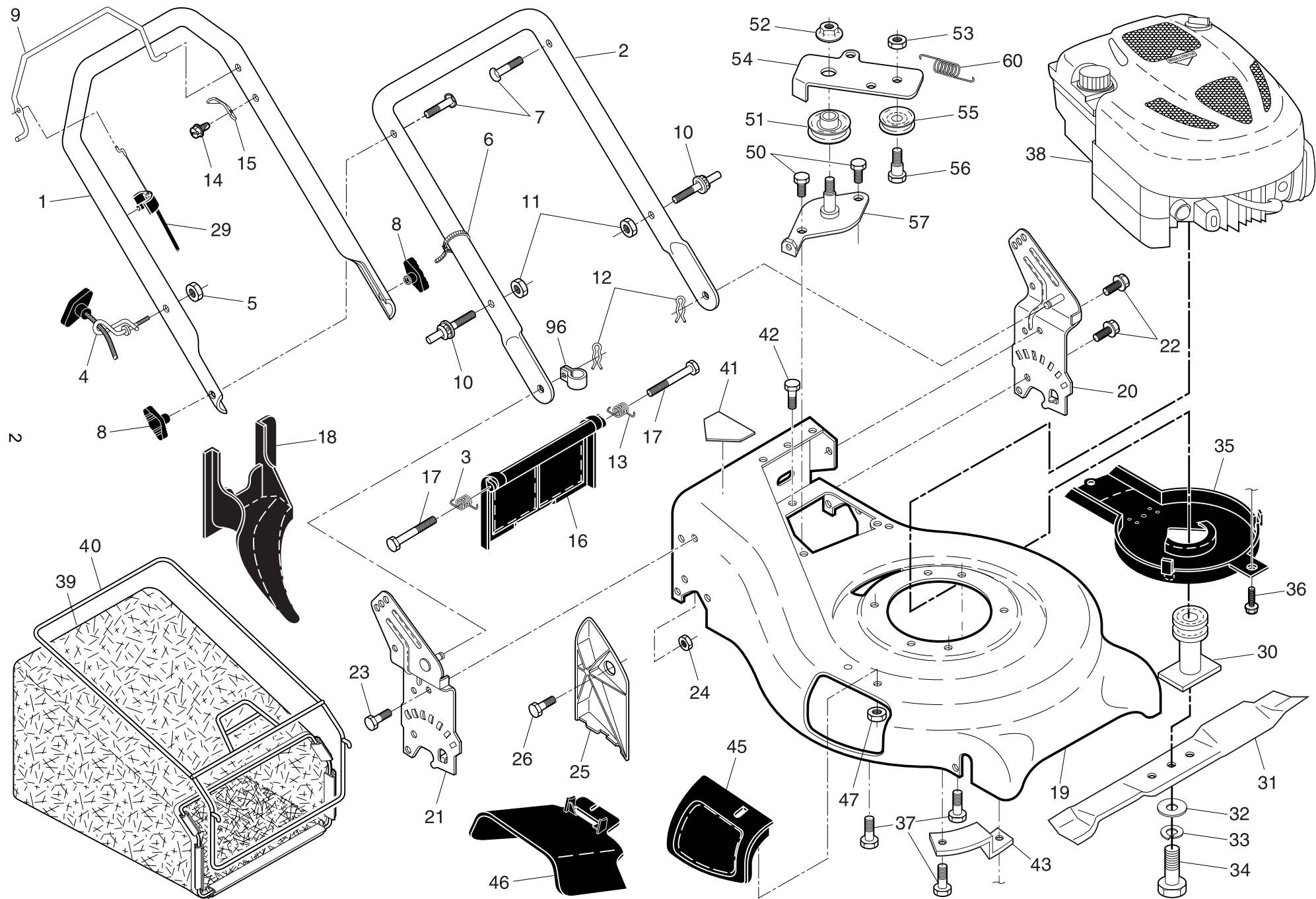
**ILLUSTRATED PARTS LIST**

**MODEL NUMBER P553CM**

**PRODUCT NUMBER 961 41 01-13**

**MFG. ID. NUMBER 96141011301**

# ROTARY LAWN MOWER - - MODEL NUMBER P553CM (96141011301) PRODUCT NUMBER 961 41 01-13

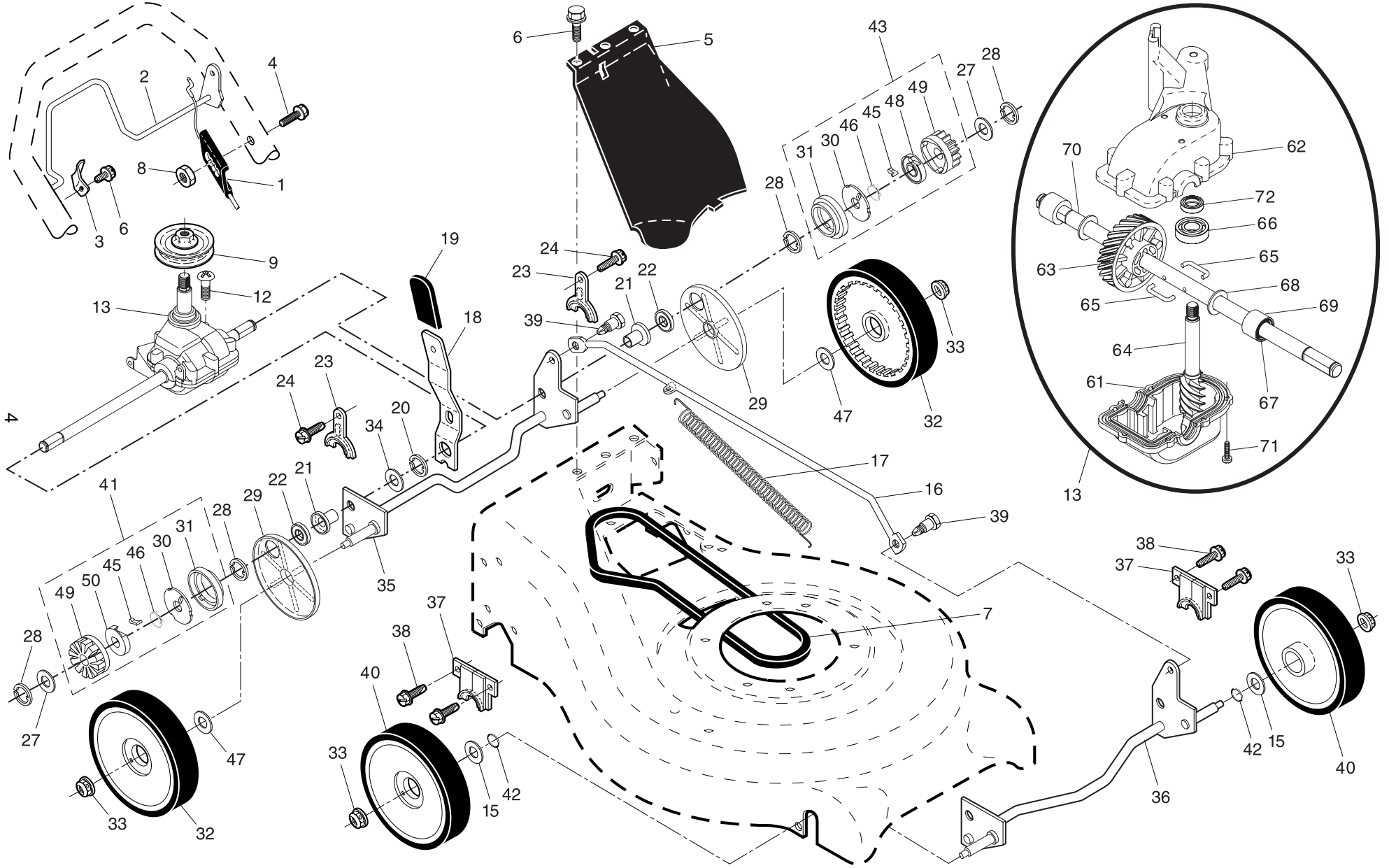


# ROTARY LAWN MOWER - - MODEL NUMBER P553CM (96141011301) PRODUCT NUMBER 961 41 01-13

KEY NO.	PART NO.	DESCRIPTION	KEY NO.	PART NO.	DESCRIPTION
1	532 17 80-67	Handle, Upper	33	532 85 02-63	Lockwasher, Helical Spring 3/8
2	532 19 60-05	Handle, Lower	34	532 85 10-84	Screw, Hex Head 3/8-24 x 1.38
3	532 18 60-53	Spring, Rear Door, RH	35	532 18 87-86	Shield, Debris
4	532 19 47-88	Guide, Rope, Side	36	532 19 23-25	Screw
5	532 13 20-04	Nut, Hex, with Lockwasher Insert 1/4-20	37	532 15 04-06	Bolt, Engine
6	532 06 64-26	Wire Tie	38	- - -	Engine, Briggs & Stratton, Model Number 12F802 (Order parts from engine manufacturer)
7	532 19 15-74	Bolt, Handle 5/16-18 x 1.75	39	532 19 49-68	Grassbag
8	532 19 19-38	Knob, Handle	40	532 19 46-44	Frame, Grassbag
9	532 19 18-19	Bar, Control	41	532 18 21-66	Danger Decal
10	532 18 88-21	Bolt, Carriage	42	532 05 45-83	Screw
11	873 93 05-00	Nut, Hex, with Lockwasher Insert 5/16-18 UNC	43	532 19 09-39	Mounting, Bracket, Debris Sheild
12	532 05 17-93	Cotter, Hairpin	45	532 19 05-10	Mulcher Door
13	532 18 60-52	Spring, Rear Door, LH	46	532 19 12-10	Discharge Deflector
14	532 75 06-34	Screw,Tapping, Hex Washer Head #10-24	47	532 08 83-49	Locknut, Hex 1/4-20
15	532 12 51-62	Bracket, Upstop	50	532 05 78-08	Screw
16	532 19 05-74	Rear Door Assembly	51	532 19 37-91	Pulley, Idler
17	532 18 41-93	Bolt, Rear Door	52	532 14 52-12	Flanged Nut
18	532 19 81-70	Plug, Mulcher	53	532 15 55-52	Locknut
19	532 40 97-33	Kit, Housing	54	532 19 68-12	Idler Arm
20	532 19 40-29	Handle Bracket Assembly, LH	55	532 16 60-43	Idler Pulley
21	532 19 40-31	Handle Bracket Assembly, RH	56	532 16 08-29	Shoulder Bolt
22	532 15 00-78	Screw, Hex Washer Head	57	532 19 33-15	Idler Bracket Assembly
23	532 16 31-83	Bolt, Hex Head 5/16-18 x 5/8	60	532 18 22-26	Spring, Return
24	873 80 05-00	Nut, Hex, with Lockwasher Insert 5/16-18	96	532 19 79-91	Clip, Cable
25	532 16 13-33	Baffle, Side	--	532 18 21-34	Warning Decal (not shown)
26	532 16 34-09	Screw #12 x 5/8	--	532 40 98-05	Operator's Manual, European
29	532 19 12-21	Cable, Engine Zone Control	--	532 40 98-06	Operator's Manual, Scandinavian
30	532 18 91-79	Adapter, Blade	--	532 40 98-07	Operator's Manual, East Bloc
31	532 19 93-77	Blade, 21"	--	532 40 98-08	Operator's Manual, Baltic
32	532 85 10-74	Washer, Hardened			

**NOTE:** All component dimensions given in U.S. inches. 1 inch = 25.4 mm. **IMPORTANT:** Use only Original Equipment Manufacturer (O.E.M.) replacement parts. Failure to do so could be hazardous, damage your lawn mower and void your warranty.

# ROTARY LAWN MOWER -- MODEL NUMBER P553CM (96141011301) PRODUCT NUMBER 961 41 01-13



# ROTARY LAWN MOWER - - MODEL NUMBER P553CM (96141011301) PRODUCT NUMBER 961 41 01-13

KEY NO.	PART NO.	DESCRIPTION	KEY NO.	PART NO.	DESCRIPTION
1	532 40 98-95	Cable, Drive Control	32	532 40 29-36	Wheel & Tire Assembly, Rear, Driven 8 x 1.75
2	532 16 14-73	Bar, Control, Drive	33	532 08 39-23	Nut, Hex, Flangelock
3	532 16 45-57	Bracket, Downstop	34	532 85 12-26	Flat Washer
4	532 19 96-87	Screw 1/4-20 x 1.5	35	532 41 09-22	Shaft Assembly, Rear
5	532 40 28-07	Cover, Drive	36	532 41 09-33	Shaft Assembly, Front
6	532 75 06-34	Screw, Threaded, Rolled #10-24 x .50	37	532 16 14-63	Retainer, Front Shaft
7	532 18 22-12	V-Belt	38	532 16 34-09	Screw #12 x 5/8
8	532 19 17-30	Nut 1/4-20	39	532 40 70-59	Bolt, Shoulder
9	532 19 41-28	Pulley, Driven	40	532 41 09-21	Wheel & Tire Assembly, Front 8 x 1.75
10	532 17 51-03	Pinion, Gear	41	532 18 83-33	Pinion Assembly, RH
12	532 18 76-53	Screw	42	<b>532 19 74-80</b>	O-Ring
13	532 18 86-45	Gearcase Assembly, Complete	43	532 18 83-31	Pinion Assembly, LH
15	<b>532 08 83-48</b>	Washer, Flat	45	532 17 50-98	Pawl
16	532 40 71-47	Rod, Connecting	47	532 06 77-25	Washer, Felt
17	532 16 16-02	Spring, Extension	48	532 17 51-05	Retainer, Drive, LH
18	532 19 61-62	Spring, Selector	50	532 17 51-02	Retainer, Drive, RH
19	532 19 00-69	Knob, Selector Spring	61	532 18 75-30	Case, Lower
20	812 00 00-22	E-Ring 7/8	62	532 18 75-31	Case, Upper
21	532 16 33-65	Support, Bearing	63	532 18 75-32	Gear, 24 Teeth
22	532 16 99-11	Bearing, Ball	64	532 18 75-33	Shaft, Worm
23	532 16 45-55	Retainer, Drive Assembly, Stamped	65	532 18 35-05	Wireform
24	532 05 78-08	Screw, Tapping, Hex Head 1/4-20 x .75	66	532 18 35-06	Bearing, Ball
26	532 18 82-91	Spring, Torsion	67	532 18 35-08	Seal, Output Shaft
27	532 05 21-60	Washer, Shim (as needed)	68	532 18 35-09	Washer
28	812 00 00-58	E-Ring 7/16	69	532 18 35-11	Bushing
29	532 18 94-03	Cover, Dust, Wheel	70	532 19 12-49	Shaft, Output
30	532 17 51-04	Disc, Drive	71	532 18 35-13	Screw
31	532 18 41-72	Seal, Friction	72	532 18 35-14	Seal, Worm Shaft

**NOTE:** All component dimensions given in U.S. inches. 1 inch = 25.4 mm. **IMPORTANT:** Use only Original Equipment Manufacturer (O.E.M.) replacement parts. Failure to do so could be hazardous, damage your lawn mower and void your warranty.